

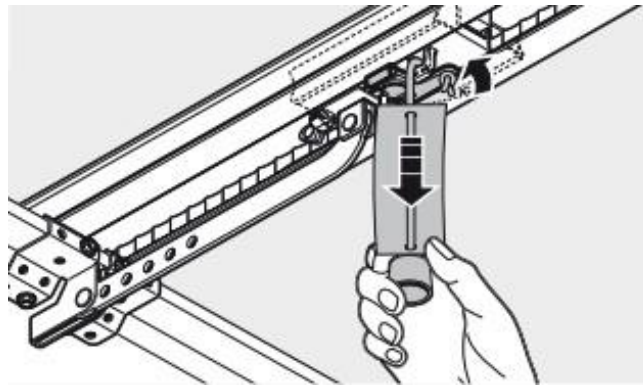
JMH

GATES & GARAGE DOORS



Putting Your Door In Manual Mode 4D motor - GA203 & GA403

1. Pull on the cord of the mechanical release; your door will now freely move up and down.



2. To re-engage the door simply push the door back into the open position and push the 'Green' button located near the manual release.

